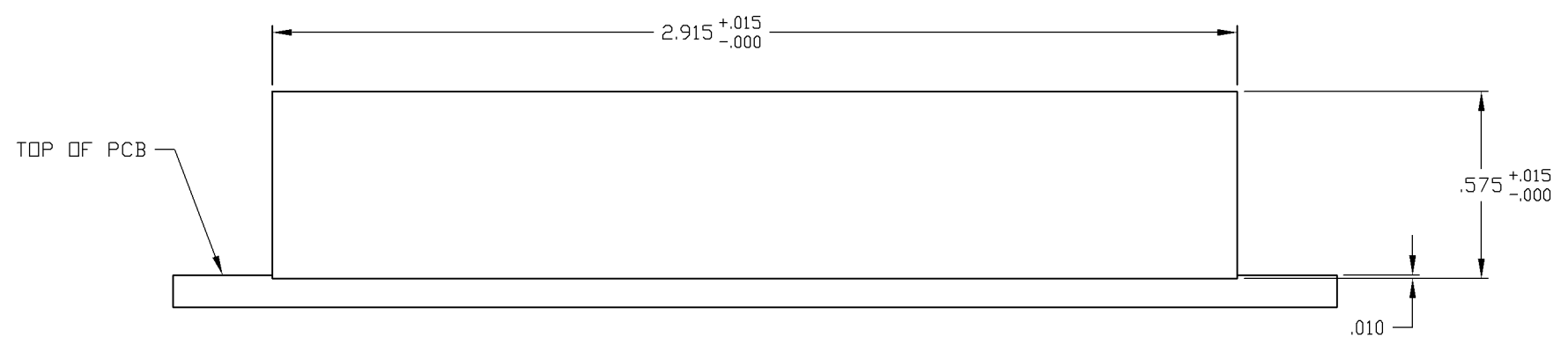
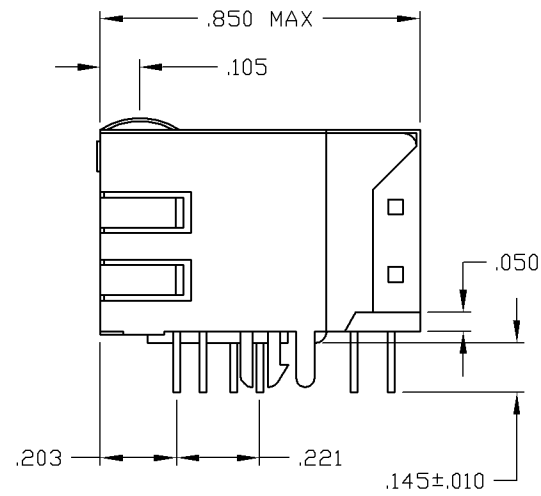
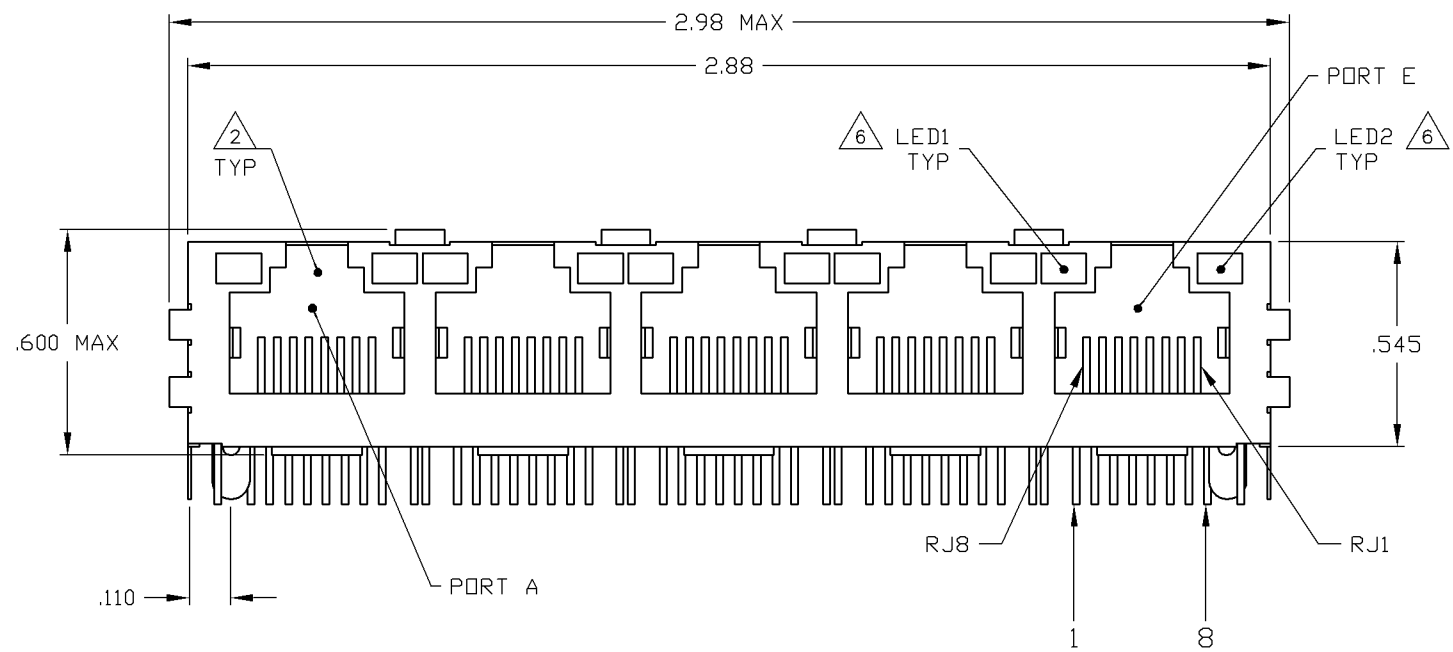
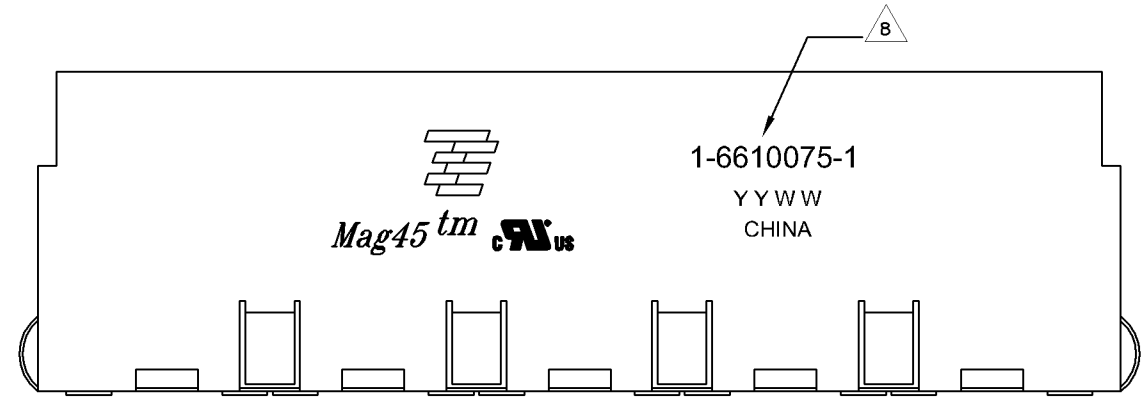


MECHANICAL:



1X5 SUGGESTED PANEL CUTOUT

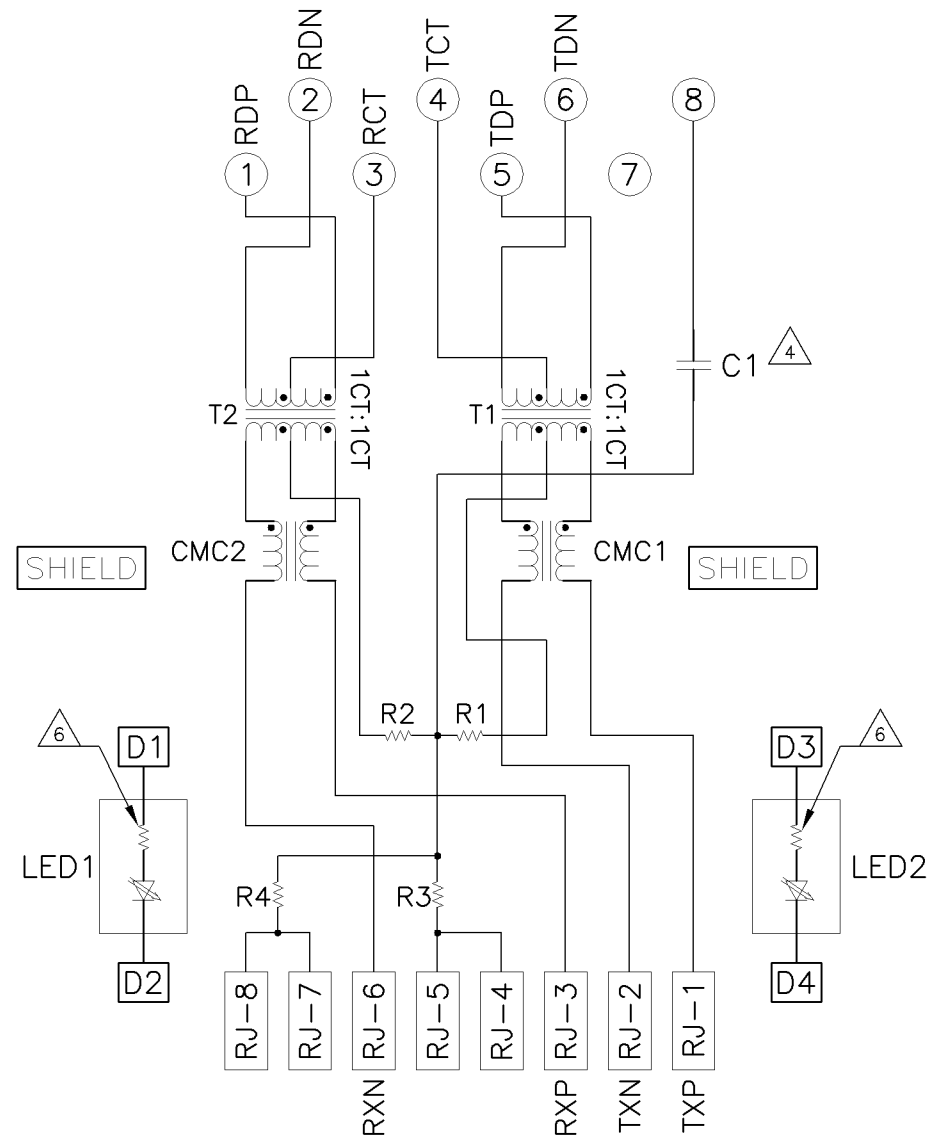
- 1 MATERIALS:
 - HOUSING - THERMOPLASTIC PET POLYESTER FLAMMABILITY RATING UL 94V-0.
 - SHIELD - .010" THICK, C26800 BRASS PREPLATED WITH 30μINCH MIN SEMI-BRIGHT NICKEL. SOLDER TABS POST DIPPED WITH 100μINCH MIN SAC SOLDER.
 - MOD JACK CONTACTS - 0.0157 X 0.018" PHOSPHOR BRONZE, 50μINCH MIN OVERALL NICKEL UNDERPLATE WITH SELECT 50μINCH MIN HARD GOLD FINISH PLATE. SOLDER TAILS WITH 100μINCH MIN MATTE TIN AND/OR SAC SOLDER DIP.
 - LIGHT EMITTING DIODE(LED) - DIFFUSED EPOXY LENS, .020" X .020" CARBON STEEL WIREFRAME LEADS PRE-PLATED WITH 80μINCH SILVER OVER 40μINCH NICKEL UNDERPLATE OVER 40μINCH COPPER UNDERPLATE. POST-PLATED WITH 100μIN MIN MATTE TIN AND/OR SAC SOLDER DIP OR PURE TIN SOLDER DIP.
- 2 RJ45 JACK CAVITY CONFORMS TO FCC RULES AND REGULATIONS PART 68, SUB PART F.
- 3 MAGNETICS
 - IMPEDANCE: 100 OHMS
 - TURNS RATIO (CHIP-CABLE): TX = 1:1, RX = 1:1
 - OPEN CIRCUIT INDUCTANCE (OCL): 350μH MIN @100kHz, 0.1VRMS, 8mADC BIAS FROM 0°C TO 70°C, TX AND RX
 - PERFORMANCE @ 25°C:
 - INSERTION LOSS (IL): 1.1dB MAX FROM 0.5MHz TO 100MHz
 - RETURN LOSS (RL): 18dB MIN FROM 0.5MHz TO 30MHz
 - 18-20LOG(f/30)dB MIN FROM 30.1MHz TO 60MHz
 - 12dB MIN FROM 60.1MHz TO 80MHz
 - CROSSTALK ATTENUATION: 35dB MIN FROM 0.5MHz TO 40MHz
 - 33-20xLOG(f/50)dB MIN FROM 40.1MHz TO 100MHz
 - COMMON MODE REJECTION RATIO (CMRR): 30dB MIN FROM 0.5MHz TO 100MHz
 - ISOLATION VOLTAGE: COMPLIES WITH IEEE802.3 2002, PARA 23.5.1.1, ITEM b.
- 4 C1 IS AN OPTIONAL CAPACITOR. IF NO CAPACITOR, TRACE IS CONTINUOUS. SEE TABLE FOR PRESENCE OF CAPACITOR IN DIFFERENT CONFIGURATIONS.
- 5. OPERATING TEMPERATURE: FROM 0° TO +70°C.
- 6 LEDS WITH BUILT-IN RESISTOR
 - LEDS ARE DRIVEN WITH 5V VOLTAGE AND THE MAX OPERATING CURRENT IS 20mA.
 - LED COLOR : DOMINANT WAVELENGTH (λD): GREEN 568 nm TYP. @ VF=5V
 - FORWARD CURRENT (IF): GREEN 12 mA TYP. @ VF=5V
 - DOMINANT WAVELENGTH (λD): YELLOW 588 nm TYP. @ VF=5V
 - FORWARD CURRENT (IF): YELLOW 13 mA TYP. @ VF=5V
- 7 INDICATED CONNECTIONS ARE FOR NIC CONFIGURATION. THE MAGNETICS ARE SYMMETRICAL, AND SUPPORT AUTO-MDI/MDIX.
- 8 TYCO ELECTRONICS LOGO, PART NUMBER, DATE CODE, COUNTRY OF ORIGIN AND AGENCY APPROVAL MARKING IN APPROXIMATE LOCATION SHOWN.
- 9. THESE PARTS IS RECOMMENDED FOR WAVE SOLDERING PROCESS, PEAK WAVE SOLDERING TEMPERATURE IS 265°C MAX, 10 SECONDS MAX.

YES	GREEN	GREEN	6-6610075-1
YES	GREEN	YELLOW	5-6610075-1
NO	GREEN	GREEN	1-6610075-1
DECOUPLING CAPACITOR 4	LED1 6	LED2 7	PART NUMBER

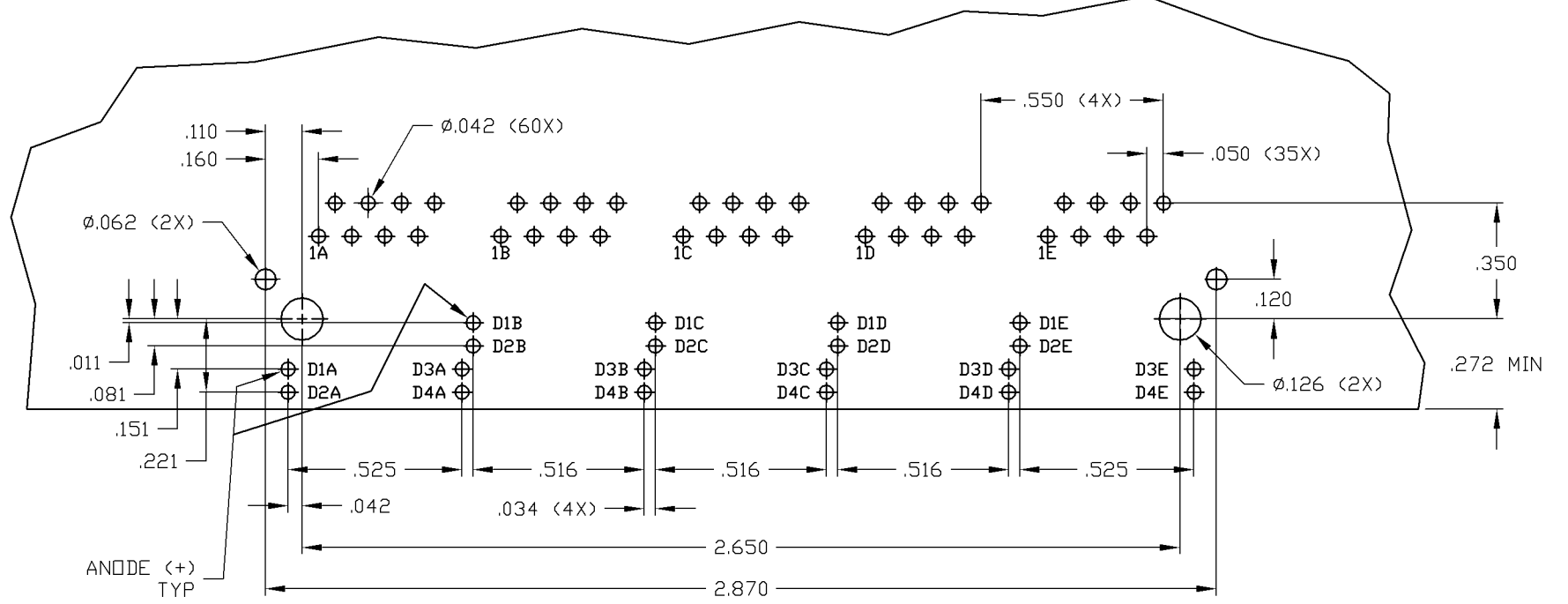
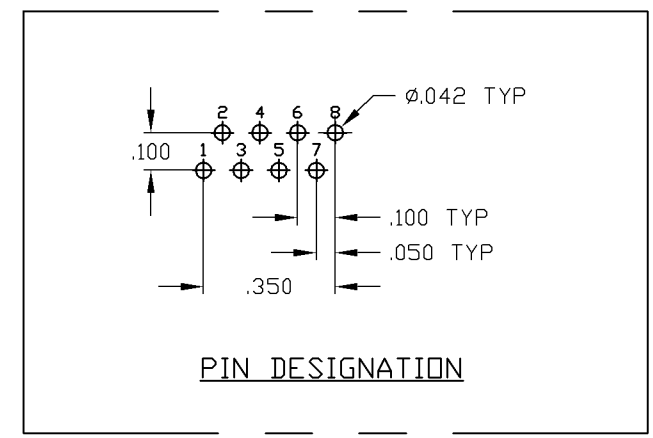
THIS DRAWING IS A CONTROLLED DOCUMENT.

DRN L. VARELA - DOCKS 17MAR2008	CHK D. FAROLE 17MAR2008	NAME D. FAROLE 17MAR2008	TYCO ELECTRONICS CORPORATION Harrisburg, PA 17105-3608
DIMENSIONS: INCHES		TOLERANCES UNLESS OTHERWISE SPECIFIED:	PRODUCT SPEC 108-2100
0 PLG ± -	1 PLG ± -	2 PLG ± .010	APPLICATION SPEC
3 PLG ± .005	4 PLG ± -	ANGLES ± -	SIZE A1
MATERIAL 1	FINISH 2	WEIGHT -	DATE CODE 00779
CUSTOMER DRAWING		SCALE NTS	SHEET 1 OF 2

726 SERIES MAGNETIC CIRCUIT 



C1 = 1000 pF, 2kV DECOUPLING CAPACITOR
 R1-R4 = 75 OHMS, 1/16W, 5% RESISTORS



SUGGESTED PCB LAYOUT
 (Component Side)

THIS DRAWING IS A CONTROLLED DOCUMENT.		DRN L. VARELA - DOCKS	17MAR2005	Tyco Electronics Corporation Harrisburg, PA 17105-3608	
DIMENSIONS: INCHES		CHK D. FAROLE	17MAR2005	Tyco Electronics	
TOLERANCES UNLESS OTHERWISE SPECIFIED:		APRD D. FAROLE	17MAR2005	NAME 1X5 MAG45(TM) MODULAR JACK, 7N2 SCHEMATIC, 726 SERIES MAGNETIC CIRCUIT, SHIELDED, OPTIONAL DECOUPLING CAPACITOR, WITH RESISTOR LEADS	
0 PLG	± .010	PRODUCT SPEC		108-2100	
1 PLG	± .010	APPLICATION SPEC		A1 00779	
2 PLG	± .005	MATERIAL		SCALE NTS	
3 PLG	± .005	FINISH		SHEET 2 OF 2	
4 PLG	± .005	ANODES		REV B	
CUSTOMER DRAWING		WEIGHT		DATE CODE	
				DRAWING NO	
				6610075	